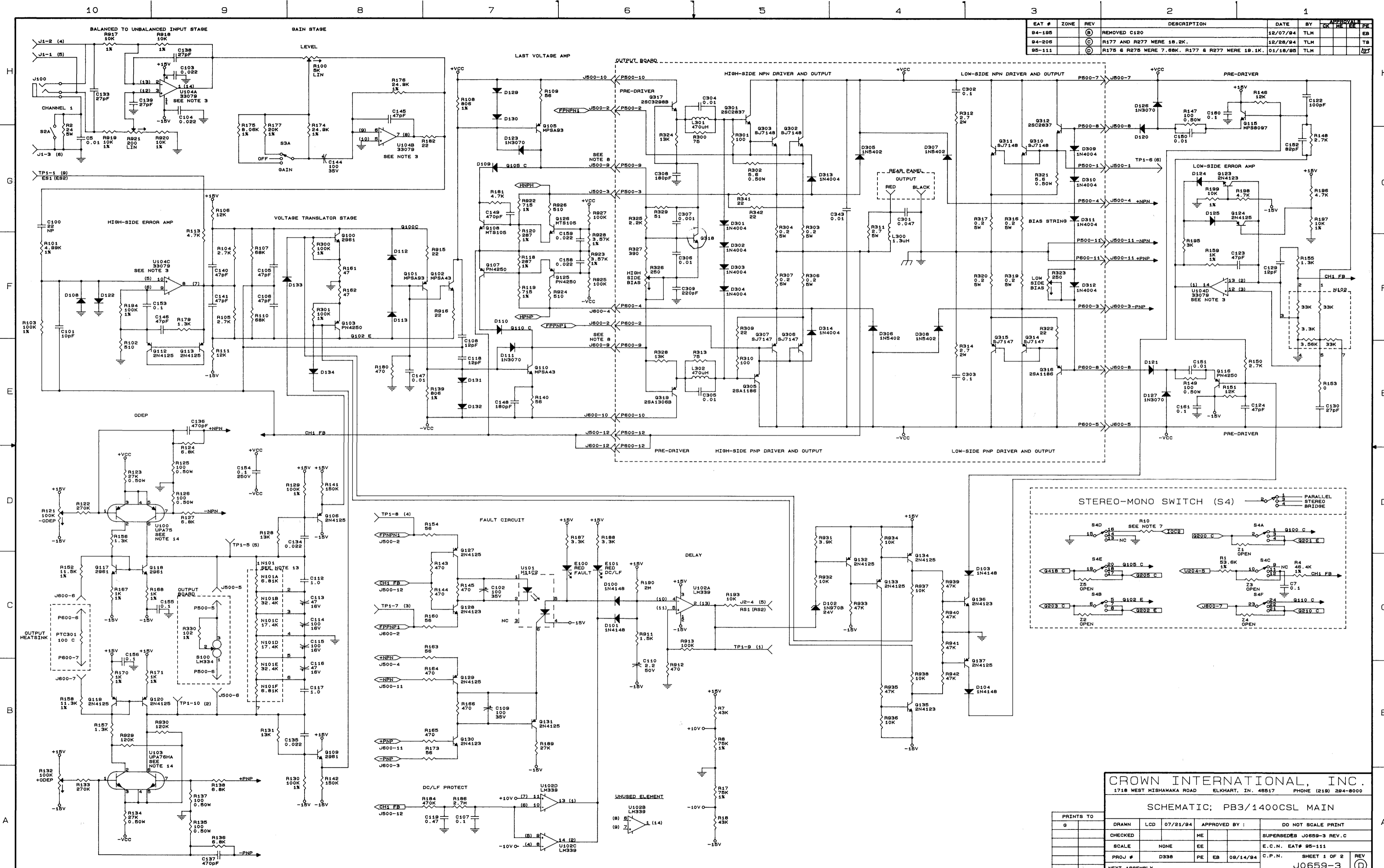


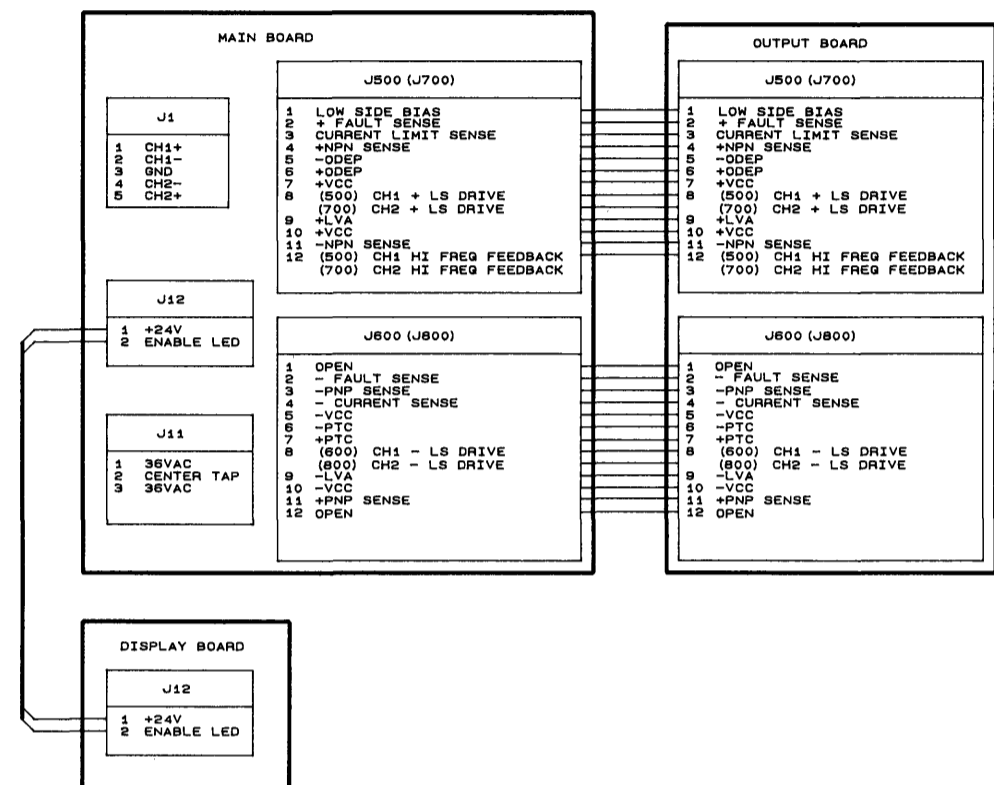
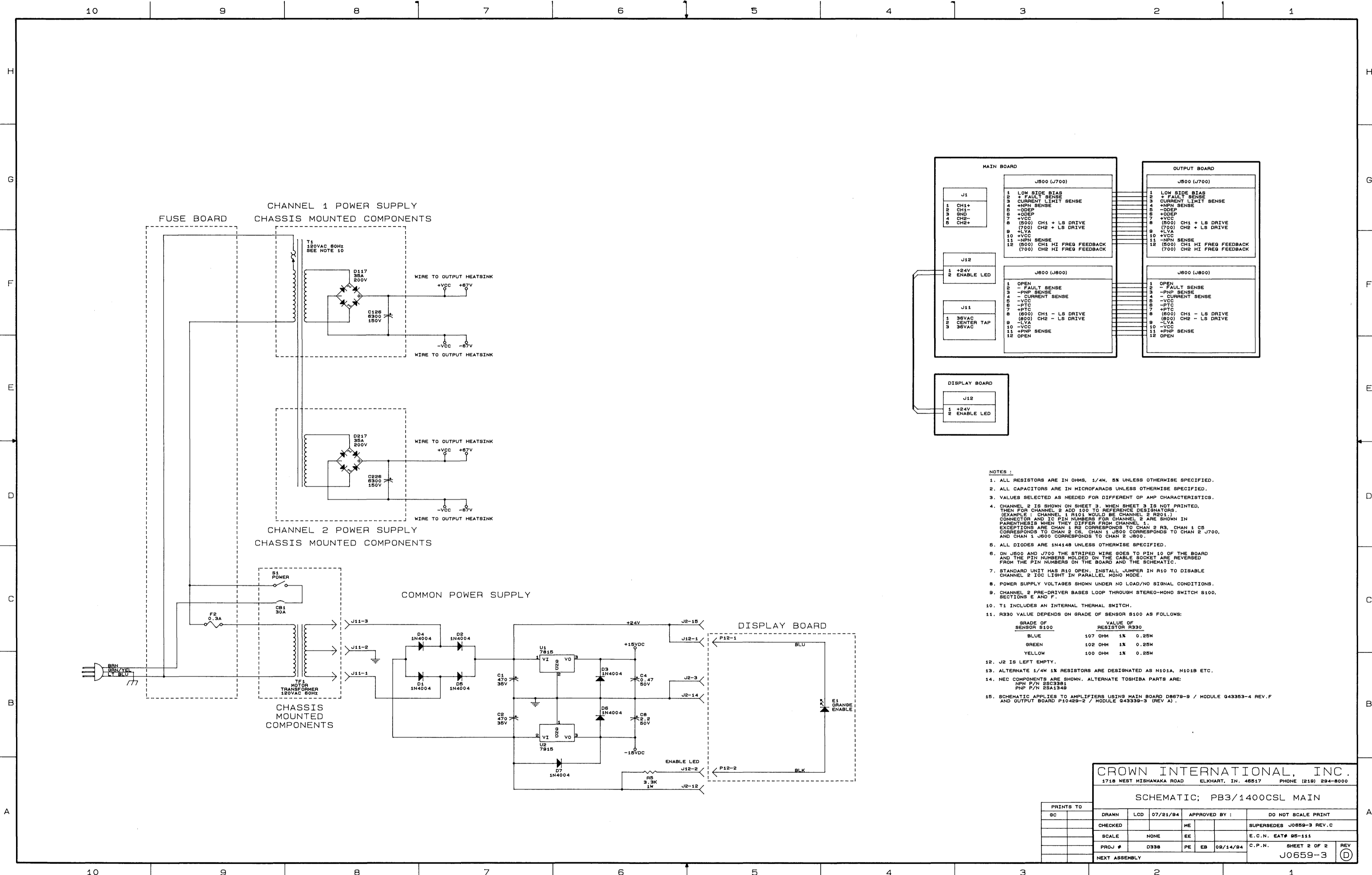
EAT #	ZONE	REV	DESCRIPTION	DATE	BY	APPROVAL
94-105		①	REMOVED C120	12/07/84	TLH	EB
94-208		②	R177 AND R277 WERE 10.2K.	12/28/84	TLH	TS
95-111		③	R175 & R275 WERE 7.88K. R177 & R277 WERE 10.1K.	01/16/85	TLH	EB



**CROWN INTERNATIONAL, INC.**  
 1718 WEST HISHANAKA ROAD ELKHART, IN. 46517 PHONE (219) 294-8000

**SCHEMATIC: PB3/1400CSL MAIN**

PRINTS TO	DRAWN	LCD	07/21/84	APPROVED BY :	DO NOT SCALE PRINT
0	CHECKED	HE			SUPERSEDES J0659-3 REV. C
	SCALE	NONE	EE		E.C.N. EAT# 95-111
	PROJ #	D338	PE	EB	09/14/84 C.P.N. SHEET 1 OF 2
	NEXT ASSEMBLY				J0659-3



- NOTES :**
1. ALL RESISTORS ARE IN OHMS, 1/4W, 5% UNLESS OTHERWISE SPECIFIED.
  2. ALL CAPACITORS ARE IN MICROFARADS UNLESS OTHERWISE SPECIFIED.
  3. VALUES SELECTED AS NEEDED FOR DIFFERENT OP AMP CHARACTERISTICS.
  4. CHANNEL 2 IS SHOWN ON SHEET 3. WHEN SHEET 3 IS NOT PRINTED, THEN FOR CHANNEL 2 ADD 100 TO REFERENCE DESIGNATORS. (EXAMPLE: CHANNEL 1 R101 WOULD BE CHANNEL 2 R201.) CONNECTOR AND IC PIN NUMBERS FOR CHANNEL 2 ARE SHOWN IN PARENTHESES WHEN THEY DIFFER FROM CHANNEL 1. EXCEPTIONS ARE CHAN 1 R5 CORRESPONDS TO CHAN 2 R3. CHAN 1 C5 CORRESPONDS TO CHAN 2 C6. CHAN 1 J500 CORRESPONDS TO CHAN 2 J700. AND CHAN 1 J600 CORRESPONDS TO CHAN 2 J800.
  5. ALL DIODES ARE 1N4148 UNLESS OTHERWISE SPECIFIED.
  6. ON J500 AND J700 THE STRIPED WIRE GOES TO PIN 10 OF THE BOARD AND THE PIN NUMBERS MOLDED ON THE CABLE SOCKET ARE REVERSED FROM THE PIN NUMBERS ON THE BOARD AND THE SCHEMATIC.
  7. STANDARD UNIT HAS R10 OPEN. INSTALL JUMPER IN R10 TO DISABLE CHANNEL 2 IOC LIGHT IN PARALLEL MONO MODE.
  8. POWER SUPPLY VOLTAGES SHOWN UNDER NO LOAD/NO SIGNAL CONDITIONS.
  9. CHANNEL 2 PRE-DRIVER BASES LOOP THROUGH STEREO-MONO SWITCH S100. SECTIONS E AND F.
  10. T1 INCLUDES AN INTERNAL THERMAL SWITCH.
  11. R330 VALUE DEPENDS ON GRADE OF SENSOR S100 AS FOLLOWS:
 

GRADE OF SENSOR S100	VALUE OF RESISTOR R330
BLUE	107 OHM 1% 0.25W
GREEN	102 OHM 1% 0.25W
YELLOW	100 OHM 1% 0.25W
  12. J2 IS LEFT EMPTY.
  13. ALTERNATE 1/4W 1% RESISTORS ARE DESIGNATED AS N301A, N101B ETC.
  14. NEC COMPONENTS ARE SHOWN. ALTERNATE TOSHIBA PARTS ARE: NPN P/N 2SC3381 PNP P/N 2SA1349
  15. SCHEMATIC APPLIES TO AMPLIFIERS USING MAIN BOARD D8679-9 / MODULE 043353-4 REV.F AND OUTPUT BOARD P10429-2 / MODULE 043339-3 (REV.A).

**CROWN INTERNATIONAL, INC.**  
 1718 WEST MISHAWAKA ROAD ELKHART, IN. 46517 PHONE (219) 294-8000

**SCHEMATIC; PB3/1400CSL MAIN**

PRINTS TO	GC	DRAWN	LCD	07/21/94	APPROVED BY :	DO NOT SCALE PRINT
CHECKED				ME		SUPERSEDES J0659-3 REV.C
SCALE	NONE	EE				E.C.N. EAT# 95-111
PROJ #	D338	PE	EB	09/14/94		C.P.N. SHEET 2 OF 2
NEXT ASSEMBLY						J0659-3